

## PATENT ABSTRACTS OF JAPAN

(11)Publication number : **2003-093451**

(43)Date of publication of application : **02.04.2003**

(51)Int.Cl. **A61H 3/04**

(21)Application number : **2001-292637** (71)Applicant : **ENPLAS CORP**

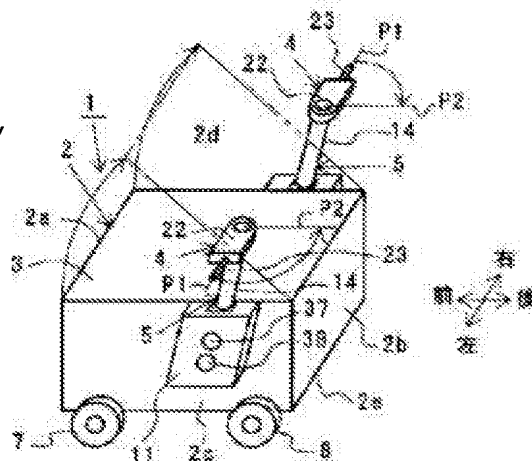
(22)Date of filing : **25.09.2001** (72)Inventor : **TAKEUCHI YOICHI**

### (54) WALKING ASSIST CART

(57)Abstract:

PROBLEM TO BE SOLVED: To provide a walking assist cart allowing a user to easily stand up from a sitting position.

SOLUTION: Arm members 4 vertically moved by a vertically moving mechanism 5 driven by a motor are arranged in right and left of a seat 3. The arm members 4 vertically move between a standing assist start position locating in neighborhood of elbows or armpits of the user when the user is in the sitting position by sitting in the seat 3 and a standing assist end position locating in the neighborhood of the elbows or the armpits of the user when the user is in a standing position by standing up from the seat 3. At this point, the arm members 4 push up the elbows or the armpits of the user while rising from the standing assist start position to the standing assist end position and assist a standing action of the user. By gripping the arm members 4 when walking, a walking action of the user is assisted by the walking assist cart 1.



\* NOTICES \*

JPO and INPIT are not responsible for any damages caused by the use of this translation.

- 1.This document has been translated by computer. So the translation may not reflect the original precisely.
- 2.\*\*\*\* shows the word which can not be translated.
- 3.In the drawings, any words are not translated.

---

## CLAIMS

---

[Claim(s)]

[Claim 1]In a walk auxiliary cart with which a user's walk is assisted, by rotation of a wheel, a cart body it can run ahead at least, A seat supported with said cart body, and an arm member supported in near [ in said seat ] near the right end section near the left edge part so that rise and fall were possible, Have a rising and falling mechanism which makes it go up and down said arm member, and a driving means which makes it go up and down said arm member via said rising and falling mechanism, and said arm member, A walk auxiliary cart going up and down between standing-up assistant end position in which it is located [ near / a standing-up assistant starting position in which it is located an elbow of a user at the time of sitting on said seat and taking a seated posture, or near lower / near /, and / an elbow of a user at the time of rising from said seat and taking erect posture, or near lower / near ].

[Claim 2]The walk auxiliary cart according to claim 1 rotating said arm member to a walk assistant position which turns to a longitudinal direction which aims to intersect perpendicularly with a walking direction mostly from a standing-up assistant position which turns to a cross direction which is a walking direction mostly.

[Claim 3]The walk auxiliary cart according to claim 2 provided with a locking mechanism which prevents rotation of said wheel when said arm member has been arranged at said standing-up assistant position.

---

[Translation done.]

\* NOTICES \*

JPO and INPIT are not responsible for any damages caused by the use of this translation.

- 1.This document has been translated by computer. So the translation may not reflect the original precisely.
- 2.\*\*\*\* shows the word which can not be translated.
- 3.In the drawings, any words are not translated.

---

## DETAILED DESCRIPTION

---

[Detailed Description of the Invention]

[0001]

[Field of the Invention]This invention relates to the walk supporting vehicle used when a user (for example, those who perform an old man and rehabilitation) walks.

[0002]

[Description of the Prior Art]Recently, the cart for shopping is widely used for shopping in a supermarket or a store. This cart for shopping carries the box for storing an article in a frame with a wheel and a grip, and is constituted. Since a wheel will rotate if it carries out whether a grip is held and the whole is pushed or it lengthens after storing the bought article in a box, it can carry comfortably, without lowering a heavy article to a hand. For this reason, it is well used to an elderly person.

[0003]In the above-mentioned cart for shopping, a box is formed with a rigid body and the thing by which people enabled it to sit on the upper surface of the box is known. Since according to this it can rest easily if it sits on a box when you get tired with a walk, it becomes available also to the person in which an age group is still higher.

[0004]Such a cart for shopping is used also for the old man who cannot walk and turn, and those who perform rehabilitation also as a walk auxiliary cart by one person, if there is not only the reason of shopping but no auxiliary equipment. That is, by walking holding a grip at the time of a walk and pushing the whole cart ahead, these persons can borrow the power of an arm and can maintain the posture at the time of a walk. And if the waist is taken down to a box, it rests and

the tiredness and the physical strength of a leg are recovered to some extent when you get tired, it will rise again and a walk will be continued again. It becomes possible to perform shopping and rehabilitation single-handedly, without borrowing the hand of a family or a person looking after a patient by carrying out like this (for example, refer to JP,H10-277110,A).

[0005]

[Problem to be solved by the invention]However, even if the person with whom the leg was troubled, and the person with a bad knee are able to walk using the above-mentioned cart for shopping, they will be very much difficult for once recovering from the seated posture single-handedly, if the waist is taken down to a box. For this reason, although shopping which used the cart for shopping with much trouble, and rehabilitation are made single-handedly, It becomes an obstacle from a box that it cannot stand up by one person, people's help will be needed to shopping or rehabilitation, as a result, walk time will decrease, and the rapid fall of strength of its legs may be caused.

[0006]The equipment with which walk bending operation is assisted is already developed (refer to the patent No. 2714617 and the patent No. 2748227).

However, such equipment does not assist with the standup of the person who sat down in the cart for shopping used also as a walk auxiliary cart. For example, as indicated by the patent No. 2761574 gazette, people's body is equipped and the apparatus which carries out power assisting of the operation of people is also already devised, but it may be difficult for a bodily inconvenient person to equip the body with power assisting apparatus directly.

[0007]Then, the person who sat on the sitting part of a cart enables it to stand up simply from a seated posture, and an object of this invention is to provide the walk auxiliary cart the person who was not able to use in the former also enabled it to use.

[0008]

[Means for solving problem]Invention of Claim 1 relates to the walk auxiliary cart with which a user's walk is assisted. This walk auxiliary cart by rotation of a wheel And the cart body it can run ahead at least, The seat supported with this cart body, and the arm member supported in near [ in this seat ] near the right end section near the left edge part so that rise and fall were possible, Have a rising and falling mechanism which makes it go up and down this arm member, and a driving means which makes it go up and down an arm member via this rising and falling mechanism, and an arm member, It goes up and down between the

standing-up assistant end position in which it is located [ near / the standing-up assistant starting position in which it is located the elbow of the user at the time of sitting on a seat and taking a seated posture, or near lower / near /, and / the elbow of the user at the time of rising from a seat and taking erect posture, or near lower / near ]. Thereby, when an arm member stands up [ a user ], while going up from a standing-up assistant starting position to standing-up assistant end position, when the bottom of a user's elbow or the side is pushed up, and is assisted with a user's rising movement and a user walks, a user's walk operation is assisted with a user grasping.

[0009]In invention of Claim 2, an arm member is rotated to the walk assistant position which turns to the longitudinal direction which aims to intersect perpendicularly with a walking direction mostly from the standing-up assistant position which turns to the cross direction which is a walking direction mostly.

[0010]In invention of Claim 3, when an arm member has been arranged at a standing-up assistant position, it has a locking mechanism which prevents rotation of a wheel.

[0011]

[Mode for carrying out the invention]Hereafter, an embodiment of the invention is explained in full detail based on Drawings.

[0012]Drawing 1 is a perspective view showing the whole walk auxiliary cart 1 concerning this invention. As shown in this drawing 1, the walk auxiliary cart 1 is provided with the following.

The cart body 2.

The seat 3.

The arm member 4.

The rising and falling mechanism 5 and the motor 6 (refer to drawing 2) as a driving means.

[0013]The cart body 2 is formed in the case which has sufficient intensity in this embodiment. Here, sufficient intensity means the intensity which is a grade on which a user can sit at least. The cart body 2 is mostly formed in rectangular parallelepiped shape, has the propleuron 2a, epimeral plate 2b, the left side board 2c, the right side board 2d, and the bottom plate 2e, and serves as storage space (storage part) for the inside to store an article. The superior lamella of the cart body 2 serves as the below-mentioned seat 3 and combination. The wheel (front wheel) 7 is attached to the right and left by the side of front [ in the bottom plate

2e of the cart body 2 ] (left-hand side in drawing 1), respectively, and, similarly the wheel (rear wheel) 8 is attached to the right and left on the backside (right-hand side in drawing 1), respectively. However, in drawing 1, the front wheel 7 and the rear wheel 8 are illustrating only the left-hand side thing.

[0014]These front wheels 7 and the rear wheel 8 are allocated in a total of four places by four corners of the bottom plate 2e, and are supporting the cart body 2 whole in them, respectively. These front wheels 7 and the rear wheel 8 are pivotable to the arrow direction in drawing 1 at least. That is, when the walk auxiliary cart 1 whole is turned ahead and pushed from back, it rotates. It may be made to approve and may be made to prevent about rotation of the opposite direction of the front wheel 7 and the rear wheel 8. When an inversion is permitted, while coming to be able to perform advance and sternway by the direction which a user pushes, when an inversion is prevented, sternway contrary to the user's mind can be prevented beforehand. When it constitutes for example, so that direction of the rear wheel 8 can be changed, change of the direction of movement at the time of advance becomes easy.

[0015]The locking mechanism 10 was formed in either [ at least ] the front wheel 7 or the rear wheels 8 (refer to drawing 5), and the walk auxiliary cart 1 whole is prevented from moving unnecessarily at the time of a user's rising movement mentioned later. This locking mechanism 10 is mentioned later.

[0016]The seat 3 is supported from a lower part with the above-mentioned cart body 2. This seat 3 is allocated in the upper part of the cart body 2, and constitutes a superior lamella which are some cart bodies 2. A size of the seat 3 is set up so that a user can sit down comfortably. The back end side is connected with an upper bed of epimeral plate 2b of the above-mentioned cart body 2, for example via a hinge (not shown), raises the front-of-solvent side up, and as a two-dot chain line in drawing 1 shows, it can open the seat 3 now. Opening of this seat 3 enables it to store an article to storage space of the cart body 2 inside.

[0017]In near [ above-mentioned / in the seat 3 ] near the right end section near the left edge part, the arm member 4 is supported by the below-mentioned rising and falling mechanism 5 so that rise and fall are possible. The arm member 4 is explained in full detail, after explaining the rising and falling mechanism 5 and the motor 6.

[0018]Rather than a center of a cross direction in the above-mentioned left side board 2c and the right side board 2d of the cart body 2, the rising and falling mechanism 5 is allocated by backward twist for a while, and is covered with the

covering 11. The rising and falling mechanism 5 is provided with the following. It is the rack 12 as shown in drawing 2 which is an enlarged drawing.

The gear 13 which geared on this rack 12.

the rack 12 is formed in the cylindrical arm member base material 14 mostly installed in a sliding direction (the upper bed side inclines back for a while strictly.)

-- the front side -- many gear teeth 12a have aligned along a sliding direction mostly. The arm member base material 14 with which this rack 12 was formed is fixed to the cart body 2. The gear 13 is provided with the following.

The tooth part 13a of a major diameter which gears for this gear tooth 12a.

The hub 13b of a byway.

The rib 13c of a large number connected with these tooth parts 13a and the hub 13b.

Among these, the worm gear 17 which gears to worm one 16 fixed to the output shaft 15 of the below-mentioned motor 6 is formed in the hub 13b. In this embodiment, the rib 13c of the gear 13 is formed in form which curved as shown in drawing 2, changes flexibly to rapid load which acts at the time of a rotation start of the gear 13, and an end, and eases a shock. The rib 13c may be linear shape which is general form. If there is no necessity in particular, general gear form which is not provided with a buffer function by a rib is also employable.

[0019]As the motor 6, a stepping motor can be used, for example. Worm one 16 which gears to the worm gear 17 of the above-mentioned gear 13 is being fixed to the output shaft 15 of the motor 6. The battery 18 is connected to the motor 6 as a power supply. This battery 18 is allocated in a part of storage space of the above-mentioned cart body 2, for example.

[0020]The arm member 4 is explained in full detail continuously.

[0021]The arm member 4 is attached to an upper bed of the arm member base material 14 of the above-mentioned rising and falling mechanism 5 rotatable, as shown in drawing 1 and drawing 3, The supporting spindle 20 was inserted in the through hole 21 of the arm member base material 14, a lower end of the supporting spindle 20 has extended to a lower part of an arm member base material, and it is connected to the locking mechanism 10 of a wheel which the lower end side of the supporting spindle 20 mentions later. This arm member 4 has the thicker support part 22 and the grip (grip) 23 of details, it is supported so that the end face side of the support part 22 can rotate by an upper bed of the above-mentioned arm member base material 14, and the above-mentioned grip 23 protrudes on the tip side of the support part 22. The support part 22 is for

pushing up the bottom of the side from a lower part, when a user stands up so that it may mention later, and on the other hand, the grip 23 is a portion grasped when a user walks.

[0022]As shown in drawing 3, the gage pin 25 which engages with the guide groove 24 formed in the arm member base material 14 is attached to the arm member 4. By moving this gage pin 25 along the guide groove 24 formed in the arm member base material 14, between from the walk assistant position P1 to the standing-up assistant position P2 is moved by the arm member 4. Rotation of the arm member 4 can be prevented by carrying out engagement of the gage pin 25 to the fluting parts 26a and 26b of the guide groove 24 formed so that it might correspond to the walk assistant position P1 and the standing-up assistant position P2. That is, rotation of the arm member 4 can be prevented in the walk assistant position P1 by engaging the gage pin 25 with the fluting part 26a corresponding to the walk assistant position P1. Along with the fluting part 26a, move the gage pin 25 (raising the arm member 4), cancel engagement of the fluting part 26a and gage pin 25 here, and it ranks second, the fluting part 26b corresponding to [ along with the Yokomizo part 27, move the gage pin 25 (rotating the arm member 4), and ] the standing-up assistant position P2 for the gage pin 25 -- being engaged (the arm member 4 is depressed) -- rotation of the arm member 4 can be prevented in the standing-up assistant position P2.

[0023]An explanatory view of the arm member 13 (a) and (b) of operation is shown in drawing 4. Drawing 4 (a) and (b) is the figure which looked at mostly the left-hand side arm member 4 and the rising and falling mechanism 5 in drawing 1 from the upper part where the covering 11 is removed, among these drawing 4 (a) shows the state where the arm member 4 is arranged at the walk assistant position P1. Drawing 4 (b) shows the state where the arm member 4 is arranged at the standing-up assistant position P2. The upper part of these figures and a lower part support the front of the walk auxiliary cart 1, and back, respectively.

[0024]As mentioned above, the arm member base material 14 with which the rack 12 of the rising and falling mechanism 5 was formed is being fixed to the cart body 2. And the gear 13 has always geared with the rack 12, and the worm gear 17 has always geared with worm one 16. As [ depress / by automatic stop of worm one 16 and the worm gear 17 / even if it applies a user's weight to the arm member 4 / by this, / in the state where the motor 6 stopped, /, in a user's weight / the arm member 4 ] Therefore, a user feels easy, can hold the arm



member 4 and can apply weight to the arm member 4.

[0025]As mentioned above, engagement of the arm member 4 is carried out so that it can rotate to the arm member base material 14. When a user walks this arm member 4, it is arranged at the walk assistant position P1 which turned the longitudinal direction to right and left by the user as shown in drawing 4 (a). On the other hand, the arm member 4 is rotated by the user about 90 degrees from the walk assistant position P1 of drawing 4 (a) to the standing-up assistant position P2, when a user stands up.

[0026]It continues and the locking mechanism 10 of a wheel is explained with reference to drawing 5 (a) which is a mimetic diagram, and (b). These figures support above-mentioned drawing 4 (a) and (b), respectively.

[0027]The arm 28 made to rock the locking mechanism 10 by rotation of the arm member 4, It consists of the brake shoe 30 fixed at the tip of this arm 28, The arm 28 is supported almost rotatable [ the supporter 31 of the mid-position ] to a cart body (not shown) at the holding pin 32, and engagement of the base end 29 of the arm 28 is carried out to the cam groove 34 of the cam 33 by which engagement was carried out to the supporting spindle 20 of the arm member 4. As shown in drawing 3, even if engagement is carried out between the narrow diameter portion 20a of the supporting spindle 20, and the through hole 21 of the arm member base material 14 and the arm member 4 goes up to a limit, the engaging cylinder 35 of the cam 33, It is formed in the length that engagement with the supporting spindle 20 is not canceled, and engagement of the slide is really made possible to the supporting spindle 20 rotatable at serration fitting, spline fitting, etc. When the arm member 4 has been arranged at the walk assistant position P1 shown in drawing 5 (a), this locking mechanism 10 has the brake shoe 30 at the tip of the arm 28 in the position estranged from the wheel (for example, rear wheel 8), and permits rotation of the rear wheel 8. On the other hand, when the arm member 4 has been arranged at the standing-up assistant position P2 shown in drawing 5 (b), When the base end 29 of the arm 28 moves along the cam groove 34 of the cam 33, the arm 28 rotates focusing on the supporter 31 in the direction of right-handed rotation (arrow R1) of drawing 5 (a), the brake shoe 30 at the tip of the arm 28 is pressed by the rear wheel 8, and rotation of the rear wheel 8 is prevented. The axle 36 has penetrated the brake shoe 30.

[0028]Here, it divides into a standing-up assistant starting position and standing-up assistant end position by the difference in a height position about the standing-

up assistant position P2 of the arm member 4. Among these, a height position [ / near lower / of the side of the user at the time of a standing-up assistant starting position sitting on the seat 3, and taking a seated posture ] shall be said, and a height position [ / near lower / of the side of a user when standing-up assistant end position rises from the seat 3 and takes erect posture ] shall be said. The above-mentioned walk assistant position P1 and the standing-up assistant position P2 are a position when it notes whether the longitudinal direction of the arm member 4 turns to right and left, or turning to order, and it does not distinguish in particular about a height position. Therefore, it can suppose that it is arbitrary about the height position of the walk assistant position of the arm member 4, and may be made to set it as the height position between standing-up assistant end position and a standing-up assistant starting position even in the same height position as standing-up assistant end position.

[0029]Next, operation of the walk auxiliary cart 1 whole is explained, referring to drawing 6 and drawing 7.

[0030]As initial setting, the arm member 4 shall be arranged in a standing-up assistant starting position shown in drawing 6.

[0031]A user who sat on the seat 3 and suited a seated posture holds the arm member 4 under the side in advance of rising movement. In this state, if one [ a user / the elevation switch 37 ], the motor 6 will start rotation, That rotation is transmitted to the gear 13 via worm one 16 of the output shaft 15 of the motor 6, and the worm gear 17 which gears to this, and the rack 12 (arm member base material 14) goes up towards standing-up assistant end position from a standing-up assistant starting position by rotation of this gear 13 (refer to drawing 2).

Thereby, since the upper half of the body is pushed up by the arm member 4 in addition to straddling on own foot, a user who was not able to stand up only on own foot can also stand up comparatively easily, and the user who is going to stand up can take erect posture. Since the brake shoe 30 of the locking mechanism 10 was pushed against the rear wheel 8 by the arm member 4 arranged at the standing-up assistant position P2 and has prevented rotation of the rear wheel 8 by it at the time of this rising movement, the walk auxiliary cart 1 does not move unnecessarily (refer to drawing 5). Therefore, if the walk auxiliary cart 1 of this embodiment is used, standing-up assistance can be carried out safely.

[0032]The user who stood up can arrange the arm member 4 which was in standing-up assistant end position in the walk assistant position P1 by making it

rotate outside about 90 degrees, as shown in drawing 7. Thereby, the user can walk the walk auxiliary cart 1 as a support, grasping the grip 23 suitable for the outside of the arm member 4, and pushing the walk auxiliary cart 1 whole ahead. At this time, there is no possibility of four arm member of descending unnecessarily, by automatic stop by engagement with worm one 16 of the rising and falling mechanism 5, and the worm gear 17 (refer to drawing 2 and drawing 4).

[0033]Here, in order for a user who got tired with a walk to sit on it, taking down the waist to the seat 3, in advance of this, the arm member 4 in the walk assistant position P1 is rotated about 90 degrees first, and it arranges to standing-up assistant end position. Thereby, the brake shoe 30 of the locking mechanism 10 is pressed by the rear wheel 8, and prevents rotation of the rear wheel 8 (refer to drawing 5). If a user turns on the lowering switch 38 in this state, the motor 6 will be reversed and the arm member 4 will descend to a standing-up assistant starting position from standing-up assistant end position (refer to drawing 2). Then, a user takes down the waist to the seat 3 and sits down.

[0034]In order to make a standing-up assistant starting position which is the lower limit, and standing-up assistant end position which is upper limits stop the arm member 4, What is necessary is to detect a height position of the arm member 4 and just to stop an operation of the motor 6 based on the detection result by detection means (not shown), such as a limit switch and a photoelectric sensor. Although the elevation switch 37 and the lowering switch 38 are installed in the covering 11, they are not restricted to this but can be suitably installed in a position which grip 23 grade tends to operate.

[0035]In an above-mentioned embodiment, although a standing-up assistant starting position and standing-up assistant end position were set as height corresponding to a height position of lower" of "side of a user of a seated posture and erect posture, respectively, It replaces with this and may be made to set it as height corresponding to a height position of an "elbow" of a user of a seated posture and erect posture, respectively. In this case, the user of a seated posture can use as an armrest the arm member 4 arranged in a standing-up assistant starting position.

[0036]To the support part 22, the grip 23 of the above-mentioned arm member 4 may be constituted so that receipts and payments are possible.

[0037]Although the arm member 4 was used also [ both sides / of assistance of rising movement and assistance of walk operation ], it may be made to use

another component individually in the above explanation, respectively. For example, the above-mentioned arm member 4 is used only for assistance of rising movement, and it may be made to provide separately a component like a handrail as a component which assists walk operation.

[0038]

[Effect of the Invention]As mentioned above, the walk auxiliary cart concerning this invention, The user whose straddle whose people and knee with which the leg was troubled are bad, and is not effective, for example can also stand up easily by one person by assisting the rising movement from the seated posture of a user sitting on the seat of this walk auxiliary cart by the arm member which goes up and down.

---

[Translation done.]

\* NOTICES \*

JPO and INPIT are not responsible for any damages caused by the use of this translation.

- 1.This document has been translated by computer. So the translation may not reflect the original precisely.
- 2.\*\*\*\* shows the word which can not be translated.
- 3.In the drawings, any words are not translated.

---

## DESCRIPTION OF DRAWINGS

---

[Brief Description of the Drawings]

[Drawing 1]It is a perspective view showing the entire configuration of a walk auxiliary cart.

[Drawing 2]It is an enlarged drawing of a rising and falling mechanism.

[Drawing 3]Drawing 3 (a) is a figure showing the relation between an arm member, an arm support component, and a cam, and drawing 3 (b) is a top view of an arm member.

[Drawing 4]It is an explanatory view of an arm member of operation.

[Drawing 5]It is an explanatory view of the locking mechanism interlocked with operation of the arm member of operation.

[Drawing 6]It is a figure explaining the operation at the time of a user standing up.

[Drawing 7]It is a figure explaining the operation at the time of a user walking.

[Explanations of letters or numerals]

1 [ .... Arm member, ] .... A walk auxiliary cart, 2 .... A cart body, 3 .... A seat, 4  
5 [ .... A rear wheel (wheel), 10 / .... A locking mechanism, 12 / .... A rack,  
12a / .... A gear tooth, 13 / .... A gear, P1 / .... A walk assistant position, P2 / ....  
Standing-up assistant position ] .... A rising and falling mechanism, 6 .... A motor  
(driving means), 7 .... A front wheel (wheel), 8

---

[Translation done.]

(19)日本国特許庁 (J P)

(12) 公開特許公報 (A)

(11)特許出願公開番号  
特開2003-93451  
(P2003-93451A)

(43)公開日 平成15年4月2日(2003.4.2)

(51)Int.Cl.<sup>7</sup>  
A 6 1 H 3/04

識別記号

F I  
A 6 1 H 3/04

テ-マ-ト\*(参考)

審査請求 未請求 請求項の数 3 O L (全 7 頁)

(21)出願番号 特願2001-292637(P2001-292637)

(22)出願日 平成13年9月25日(2001.9.25)

(71)出願人 000208765

株式会社エンプラス  
埼玉県川口市並木2丁目30番1号

(72)発明者 竹内 洋一

埼玉県川口市並木2丁目30番1号 株式会  
社エンプラス内

(74)代理人 100107397

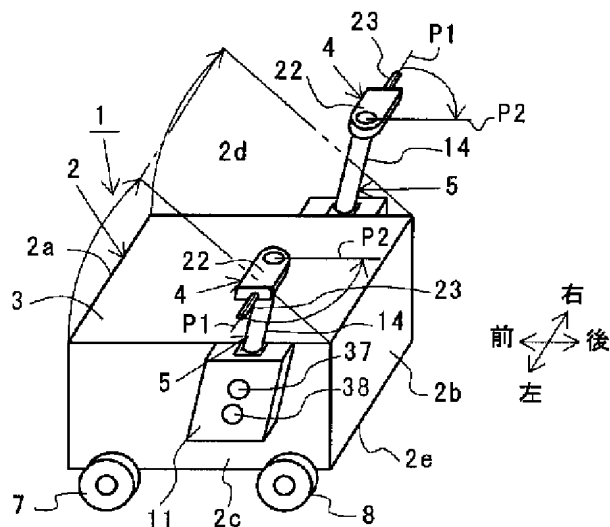
弁理士 勝又 弘好

(54)【発明の名称】 歩行補助カート

(57)【要約】

【課題】 使用者が着座姿勢から簡単に立ち上がれるようにした歩行補助カートを提供する。

【解決手段】 座席3の左右には、モータで駆動される昇降機構5を介して昇降させられるアーム部材4を配置する。アーム部材4は、座席3に座って着座姿勢をとった場合の使用者の肘又は脇の下近傍に位置する起立アシスト開始位置と、座席3から立ち上がって起立姿勢をとった場合の使用者の肘又は脇の下近傍に位置する起立アシスト終了位置との間を昇降する。この際、アーム部材4は、前記起立アシスト開始位置から前記起立アシスト終了位置に上昇しながら使用者の肘又は脇の下を押し上げ、使用者の起立動作を補助する。また、使用者が歩行する際にアーム部材4を握ることで、使用者の歩行動作が歩行補助カート1によって補助される。



## 【特許請求の範囲】

【請求項1】 使用者の歩行を補助する歩行補助カートにおいて、  
車輪の回転により少なくとも前方に走行可能なカート本体と、  
前記カート本体によって支持された座席と、  
前記座席における左端部近傍及び右端部近傍において昇降可能に支持されたアーム部材と、  
前記アーム部材を昇降させる昇降機構と、  
前記昇降機構を介して前記アーム部材を昇降させる駆動手段と、を備え、  
前記アーム部材は、  
前記座席に座って着座姿勢をとった場合の使用者の肘又は脇の下近傍に位置する起立アシスト開始位置と、前記座席から立ち上がって起立姿勢をとった場合の使用者の肘又は脇の下近傍に位置する起立アシスト終了位置との間を昇降することを特徴とする歩行補助カート。

【請求項2】 前記アーム部材は、ほぼ歩行方向である前後方向を向く起立アシスト位置からほぼ歩行方向と直交する方向である左右方向を向く歩行アシスト位置まで回転することを特徴とする請求項1に記載の歩行補助カート。

【請求項3】 前記アーム部材が前記起立アシスト位置に配置されたときに前記車輪の回転を阻止するロック機構を備えたことを特徴とする請求項2に記載の歩行補助カート。

## 【発明の詳細な説明】

## 【0001】

【発明の属する技術分野】本発明は、使用者（例えば老人やリハビリを行う人）が歩行する際に使用する歩行補助車に関する。

## 【0002】

【従来の技術】近時、スーパーや商店での買い物に、買い物用カートが広く使用されている。この買い物用カートは、車輪及び握りのついたフレームに、品物を収納するためのボックスを搭載して構成されている。買った品物をボックスに収納した後、握りをつかんで全体を押すか引くかすれば、車輪が回転するので、重い品物を手に下げることなく楽に運ぶことができる。このため、年配の人に良く利用されている。

【0003】また、上述の買い物用カートにおいて、ボックスを剛体によって形成し、そのボックスの上面に人が座れるようにしたものが知られている。これによると、歩行に疲れたときには、ボックスに座れば簡単に休憩することができるので、さらに年齢層の高い人にも利用可能となる。

【0004】また、このような買い物用カートは、買い物のためだけでなく、補助機器がないと1人では歩きまわることができない老人や、リハビリを行う人にも歩行補助カートとしても利用されている。すなわち、これら

の人は、歩行時に握りをつかんでカート全体を前方に押しながら歩行することで、腕の力を借りて歩行時の姿勢を維持することができる。そして、疲れたときには、ボックスに腰を下ろして休み、ある程度足の疲れや体力が回復したら、再び立ち上がってまた歩行を続ける。こうすることで家族や介護人の手を借りることなく、独力で買い物やリハビリを行うことが可能となる（例えば、特開平10-277110号公報参照）。

## 【0005】

【発明が解決しようとする課題】しかしながら、足の弱った人や膝の悪い人は、たとえ上述の買い物用カートを利用して歩行することはできたとしても、一旦、ボックスに腰をおろしてしまうと、その着座姿勢から独力で立ち上がることはなかなか困難なものである。このため、せっかく買い物用カートを利用した買い物やリハビリは独力でできるのに、ボックスから1人で起立できないことが障害となって、買い物やリハビリまでも人の助けが必要となり、その結果、歩行時間が減少して急速な脚力の低下を招いてしまうことになりかねない。

【0006】なお、既に、歩行屈伸動作を補助する装置が開発されている（特許第2714617号、特許第2748227号参照）。しかし、そのような装置は、歩行補助カートとしても使用される買い物用カートに着座した人の立ち上がりを補助するようになっていない。また、例えば、特許第2761574号公報に開示されたように、人の体に装着して、人の動作をパワーアシストする機器も既に考案されているが、体の不自由な人にとってパワーアシスト機器を直接体に装着することが困難な場合もある。

【0007】そこで、本発明は、カートの着座部に腰掛けた人が着座姿勢から簡単に起立できるようにし、従来では利用できなかった人でも利用できるようにした歩行補助カートを提供することを目的とするものである。

## 【0008】

【課題を解決するための手段】請求項1の発明は、使用者の歩行を補助する歩行補助カートに関するものである。そして、この歩行補助カートは、車輪の回転により少なくとも前方に走行可能なカート本体と、このカート本体によって支持された座席と、この座席における左端部近傍及び右端部近傍において昇降可能に支持されたアーム部材と、このアーム部材を昇降させる昇降機構と、この昇降機構を介してアーム部材を昇降させる駆動手段と、を備え、アーム部材は、座席に座って着座姿勢をとった場合の使用者の肘又は脇の下近傍に位置する起立アシスト開始位置と、座席から立ち上がって起立姿勢をとった場合の使用者の肘又は脇の下近傍に位置する起立アシスト終了位置との間を昇降するようになっている。これにより、アーム部材は、使用者が起立する際に起立アシスト開始位置から起立アシスト終了位置に上昇しながら使用者の肘又は脇の下を押し上げて使用者の起立動作

を補助し、また、使用者が歩行する際に使用者が握ることによって使用者の歩行動作を補助する。

【0009】請求項2の発明では、アーム部材は、ほぼ歩行方向である前後方向を向く起立アシスト位置からほぼ歩行方向と直交する方向である左右方向を向く歩行アシスト位置まで回動するようになっている。

【0010】請求項3の発明では、アーム部材が起立アシスト位置に配置されたときに車輪の回転を阻止するロック機構を備えている。

【0011】

【発明の実施の形態】以下、本発明の実施の形態を図面に基づき詳述する。

【0012】図1は、本発明に係る歩行補助カート1の全体を示す斜視図である。この図1に示すように、歩行補助カート1は、カート本体2と、座席3と、アーム部材4と、昇降機構5と、駆動手段としてのモータ6（図2参照）とを備えている。

【0013】カート本体2は、本実施の形態においては、十分な強度を有する筐体に形成されている。ここで、十分な強度とは、少なくとも使用者が座ることができる程度の強度のことをいう。カート本体2は、ほぼ立方体状に形成されていて、前側板2a、後側板2b、左側板2c、右側板2d、底板2eを有しており、その内部が品物を収納するための収納スペース（収納部）となっている。なお、カート本体2の上板は、後述の座席3と兼用となっている。カート本体2の底板2eにおける前側（図1中の左側）の左右には、それぞれ車輪（前輪）7が取り付けられ、また同じく後側（図1中の右側）の左右には、それぞれ車輪（後輪）8が取り付けられている。ただし、図1では、前輪7、後輪8とも、左側のもののみを図示している。

【0014】これら前輪7、後輪8は、底板2eの4隅にそれぞれ、合計4箇所に配設されていて、カート本体2全体を支持している。これら前輪7、後輪8は、少なくとも図1中の矢印方向に回転可能である。つまり歩行補助カート1全体を後方から前方に向けて押したときに回転するようになっている。なお、前輪7、後輪8の逆方向の回転については、許容するようにしてもよく、また、阻止するようにしてもよい。逆転を許容した場合には、使用者の押す方向によって前進も後進もできるようになる一方、逆転を阻止した場合には、使用者の意に反した後進を未然に防止することができる。また、例えば、後輪8の向きを変えられるように構成した場合には、前進時の進行方向の変更が容易になる。

【0015】なお、前輪7又は後輪8のうちの少なくとも一方にロック機構10を設けて（図5参照）、後述する使用者の起立動作時には、歩行補助カート1全体が不要に動くことを防止している。このロック機構10については後述する。

【0016】座席3は、上述のカート本体2によって下

方から支持されている。この座席3は、カート本体2の上部に配設されていて、カート本体2の一部である上板を構成している。座席3の大きさは、使用者が楽に座ることができるように設定されている。座席3は、その後端側が、上述のカート本体2の後側板2bの上端に、例えばヒンジ（図示せず）を介して連結されており、前端側を上方に上げて、図1中の二点鎖線で示すように開放できるようになっている。この座席3の開放によって、カート本体2内側の収納スペースに品物を収納することが可能となる。

【0017】アーム部材4は、上述の座席3における左端部近傍及び右端部近傍において、後述の昇降機構5によって昇降可能に支持されている。なお、アーム部材4については、昇降機構5及びモータ6を説明した後に詳述する。

【0018】昇降機構5は、前述のカート本体2の左側板2c及び右側板2dにおける前後方向の中央よりも少し後方に配設されていて、カバー11によって覆われている。昇降機構5は、拡大図である図2に示すように、ラック12と、このラック12に噛み合されたギヤ13とを有している。ラック12は、ほぼ上下方向（厳密には、上端側が少し後方に傾斜されている。）に延設された棒状のアーム部材支持体14に形成されており、その前側のほぼ上下方向に沿って多数の歯12aが整列されている。このラック12が形成されたアーム部材支持体14は、カート本体2に固定される。ギヤ13は、この歯12aに噛み合する大径の歯部13aと、小径のハブ13bと、これら歯部13aとハブ13bとを連結する多数のリップ13cとを有している。このうち、ハブ13bには、後述のモータ6の出力軸15に固定されたウォーム16に噛み合するウォームホイール17が形成されている。また、本実施の形態において、ギヤ13のリップ13cは、図2に示すように湾曲した形状に形成されていて、ギヤ13の回転開始時及び終了時に作用する急激な負荷に対し、柔軟に変形して衝撃を緩和する。なお、リップ13cは、一般的な形状である直線状であってもよい。また、特に必要がなければ、リップによる緩衝機能を備えていない一般的なギヤ形状を採用することもできる。

【0019】モータ6としては、例えば、ステッピングモータを使用することができる。モータ6の出力軸15には、上述のギヤ13のウォームホイール17に噛み合するウォーム16が固定されている。モータ6には、電源として、バッテリー18が接続されている。このバッテリー18は、例えば、前述のカート本体2の収納スペースの一部に配設されている。

【0020】つづいてアーム部材4について詳述する。

【0021】アーム部材4は、図1及び図3に示すように、上述の昇降機構5のアーム部材支持体14の上端に回動可能に取り付けられており、その支持軸20がアー



ム部材支持体14の貫通穴21に挿入され、支持軸20の下端がアーム部材支持体の下方まで延びており、支持軸20の下端側が後述する車輪のロック機構10に接続されている。このアーム部材4は、太めのサポート部22と、細目のグリップ(握り)23とを有して、サポート部22の基端側が上述のアーム部材支持体14の上端で回動できるように支持され、またサポート部22の先端側に上述のグリップ23が突設されている。サポート部22は、後述するように、使用者が起立する際に脇の下を下方から押し上げるためのものであり、一方、グリップ23は、使用者が歩行する際に握る部分である。

【0022】また、アーム部材4には、図3に示すように、アーム部材支持体14に形成したガイド溝24に係合する位置決めピン25が取り付けられている。この位置決めピン25をアーム部材支持体14に形成したガイド溝24に沿って移動させることにより、アーム部材4が歩行アシスト位置P1から起立アシスト位置P2までの間を移動させられるようになっている。なお、歩行アシスト位置P1と起立アシスト位置P2に対応するように形成されたガイド溝24の縦溝部26a、26bに位置決めピン25に係合させることにより、アーム部材4の回動を阻止することができる。すなわち、歩行アシスト位置P1に対応する縦溝部26aに位置決めピン25に係合することにより、歩行アシスト位置P1でアーム部材4の回動を阻止できる。ここで、縦溝部26aに沿って位置決めピン25を移動させ(アーム部材4を持ち上げ)、その縦溝部26aと位置決めピン25との係合を解除し、次いで、横溝部27に沿って位置決めピン25を移動させ(アーム部材4を回動させ)、位置決めピン25を起立アシスト位置P2に対応する縦溝部26bに係合する(アーム部材4を押し下げると)、起立アシスト位置P2でアーム部材4の回動を阻止できる。

【0023】図4に、アーム部材13(a)、(b)の動作説明図を示す。図4(a)、(b)は、図1における左側のアーム部材4及び昇降機構5を、カバー11を外した状態ではほぼ上方から見た図であり、このうち図4(a)は、アーム部材4が歩行アシスト位置P1に配置されている状態を示している。また図4(b)は、アーム部材4が起立アシスト位置P2に配置されている状態を示している。なお、これらの図の上方、下方がそれぞれ歩行補助カート1の前方、後方に対応している。

【0024】前述のように、昇降機構5のラック12が形成されたアーム部材支持体14は、カート本体2に固定されている。そして、ラック12とギヤ13が常時噛み合っており、ウォーム16とウォームホイール17とが常時噛み合っている。これにより、モータ6が停止した状態において、アーム部材4に使用者の体重をかけても、ウォーム16とウォームホイール17の自動止まりにより、アーム部材4が使用者の体重で押し下げられて

しまうようなことがない。したがって、使用者は、安心してアーム部材4を掴んだり、また、アーム部材4に体重をかけることができる。

【0025】また、アーム部材4は、前述のように、アーム部材支持体14に対して回動できるように係合されている。このアーム部材4は、使用者が歩行する際には、使用者により図4(a)に示すように長手方向を左右に向けた歩行アシスト位置P1に配置される。一方、アーム部材4は、使用者が起立する場合、使用者により図4(a)の歩行アシスト位置P1から起立アシスト位置P2までほぼ90度回転させられる。

【0026】つづいて、模式図である図5(a)、(b)を参照して、車輪のロック機構10について説明する。これらの図は、それぞれ上述の図4(a)、(b)に対応している。

【0027】ロック機構10は、アーム部材4の回動によって揺動させられるアーム28と、このアーム28の先端に固定されたブレーキシュー30とからなっており、アーム28のほぼ中間位置の支持部31がカート本体(図示せず)に支持ピン32で回動可能に支持され、アーム28の基端部29がアーム部材4の支持軸20に係合されたカム33のカム溝34に係合されている。なお、カム33の係合筒35は、図3に示すように、支持軸20の小径部20aとアーム部材支持体14の貫通穴21との間に係合されており、アーム部材4が限界まで上昇しても、支持軸20との係合が解除されないような長さ形成され、支持軸20にセレーション嵌合やスプライン嵌合等でスライド可能に且つ一体回動可能に係合されている。このロック機構10は、アーム部材4が図5(a)に示す歩行アシスト位置P1に配置された場合には、アーム28の先端のブレーキシュー30が車輪(例えば、後輪8)から離間した位置にあり、後輪8の回転を許容する。一方、アーム部材4が図5(b)に示す起立アシスト位置P2に配置された場合には、アーム28の基端部29がカム33のカム溝34に沿って移動することにより、アーム28が支持部31を中心として図5(a)の右回り方向(矢印R1)に回動し、アーム28の先端のブレーキシュー30が後輪8に押圧され、後輪8の回転が阻止されるようになっている。なお、車軸36がブレーキシュー30を貫通している。

【0028】ここで、アーム部材4の起立アシスト位置P2について、高さ位置の違いによって、起立アシスト開始位置と、起立アシスト終了位置とに分ける。このうち起立アシスト開始位置とは、座席3に座って着座姿勢をとった場合の使用者の脇の下近傍に対応する高さ位置をいい、また起立アシスト終了位置とは、座席3から立ち上がって起立姿勢をとった場合の使用者の脇の下近傍に対応する高さ位置をいうものとする。なお、上述の歩行アシスト位置P1と起立アシスト位置P2とは、アーム部材4の長手方向が左右を向くか前後を向くかに着目

したときの位置であって、高さ位置については、特に区別するものではない。したがって、アーム部材4の歩行アシスト位置の高さ位置については任意とすることができ、起立アシスト終了位置と同じ高さ位置でも、また起立アシスト終了位置と起立アシスト開始位置との間の高さ位置に設定するようにしてもよい。

【0029】次に、図6及び図7を参照しながら、歩行補助カート1全体の動作を説明する。

【0030】初期設定として、アーム部材4が図6に示す、起立アシスト開始位置に配置されているものとする。

【0031】座席3に座って着座姿勢にあった使用者は、起立動作に先立ち、アーム部材4を脇の下で抱え込むようにする。この状態で、使用者が上昇スイッチ37をオンすると、モータ6が回転を開始し、その回転がモータ6の出力軸15のウォーム16とこれに噛み合うウォームホイール17を介してギヤ13に伝達され、このギヤ13の回転によってラック12（アーム部材支持体14）が起立アシスト開始位置から起立アシスト終了位置に向けて上昇する（図2参照）。これにより、起立しようとする使用者は、自身の足で踏ん張るのに加えて、アーム部材4によって上半身が押し上げられるので、自身の足だけでは起立できなかった使用者でも比較的簡単に立ち上がって起立姿勢をとることができる。この起立動作時には、起立アシスト位置P2に配置されているアーム部材4により、ロック機構10のブレーキシュー30が後輪8に押し付けられて後輪8の回転を阻止しているので、歩行補助カート1が不要に移動するようなことがない（図5参照）。したがって、本実施の形態の歩行補助カート1を使用すれば、安全に起立アシストすることができる。

【0032】起立した使用者は、起立アシスト終了位置にあったアーム部材4を、図7に示すように、外側にほぼ90度回転させることで、歩行アシスト位置P1に配置することができる。これにより、使用者は、アーム部材4の外側に向けたグリップ23を握って、歩行補助カート1全体を前方に押しながら、歩行補助カート1を支えとして歩行することができる。このときには、昇降機構5のウォーム16とウォームホイール17との噛み合いによる自動止まりにより、アーム部材4が不要に降下する虞はない（図2、図4参照）。

【0033】ここで、歩行に疲れた使用者が座席3に腰を下ろして座るには、これに先立ち、まず、歩行アシスト位置P1にあるアーム部材4をほぼ90度回転させて起立アシスト終了位置に配置する。これにより、ロック機構10のブレーキシュー30が後輪8に押圧されて後輪8の回転を阻止する（図5参照）。この状態で使用者が下降スイッチ38を入れると、モータ6が逆転してアーム部材4が起立アシスト終了位置から起立アシスト開始位置に降下する（図2参照）。その後、使用者は座席

3に腰を下ろして着座する。

【0034】なお、アーム部材4をその下降限である起立アシスト開始位置、及び上昇限である起立アシスト終了位置に停止させるには、リミットスイッチや光電センサ等の検知手段（図示せず）によってアーム部材4の高さ位置を検知し、その検知結果に基づいてモータ6の動作を停止させればよい。また、上昇スイッチ37及び下降スイッチ38は、カバー11に設置してあるが、これに限られず、グリップ23等の操作し易い位置に適宜設置することができる。

【0035】上述の実施の形態においては、起立アシスト開始位置及び起立アシスト終了位置を、それぞれ着座姿勢及び起立姿勢の使用者の「脇の下」の高さ位置に対応する高さ設定したが、これに代えて、それぞれ着座姿勢及び起立姿勢の使用者の「肘」の高さ位置に対応する高さ設定するようにしてもよい。この場合には、着座姿勢の使用者は、起立アシスト開始位置に配置されたアーム部材4を肘掛けとして使用することができる。

【0036】上述のアーム部材4のグリップ23は、サポート部22に対して出入り可能に構成してもよい。

【0037】以上の説明では、アーム部材4を、起立動作の補助と歩行動作の補助との双方に兼用したが、それぞれ個別に別の部材を使用するようにしてもよい。例えば、上述のアーム部材4を起立動作の補助専用として使用し、歩行動作を補助する部材として手すりのような部材を別個に設けるようにしてもよい。

【0038】

【発明の効果】以上のように、本発明に係る歩行補助カートは、この歩行補助カートの座席に座っている使用者の着座姿勢からの起立動作を、昇降するアーム部材によって補助することにより、例えば、足の弱った人や膝が悪くて踏ん張りが利かない使用者でも、1人で簡単に立ち上がることができる。

【図面の簡単な説明】

【図1】歩行補助カートの全体構成を示す斜視図である。

【図2】昇降機構の拡大図である。

【図3】図3(a)はアーム部材、アーム支持部材及びカムとの関係を示す図であり、図3(b)はアーム部材の平面図である。

【図4】アーム部材の動作説明図である。

【図5】アーム部材の動作に連動したロック機構の動作説明図である。

【図6】使用者が起立する際の動作を説明する図である。

【図7】使用者が歩行する際の動作を説明する図である。

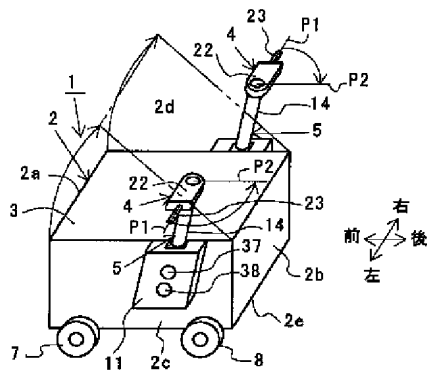
【符号の説明】

1……歩行補助カート、2……カート本体、3……座席、4……アーム部材、5……昇降機構、6……モータ

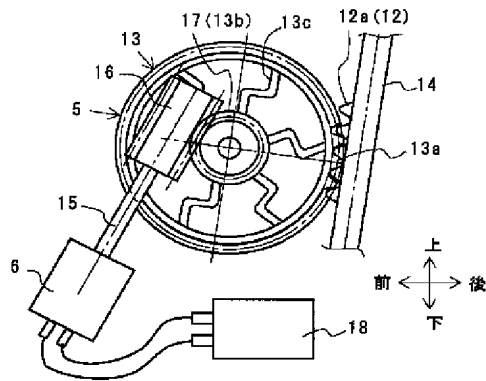
(駆動手段)、7……前輪(車輪)、8……後輪(車輪)、10……ロック機構、12……ラック、12a……

…歯、13……ギヤ、P1……歩行アシスト位置、P2……起立アシスト位置

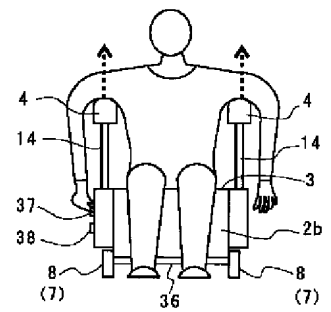
【図1】



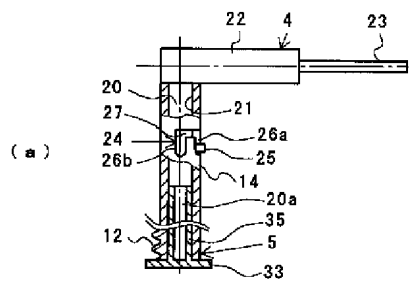
【図2】



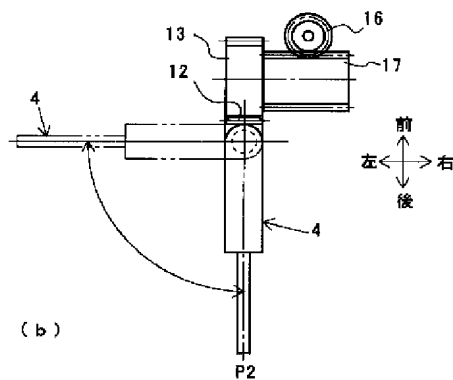
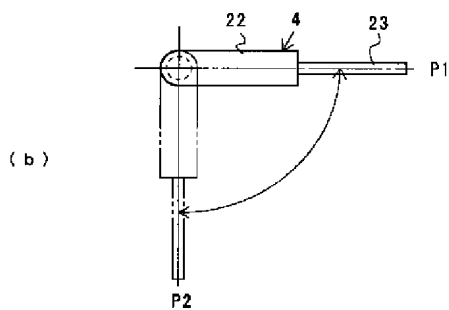
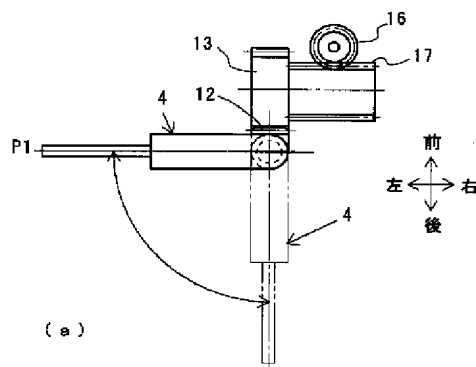
【図6】



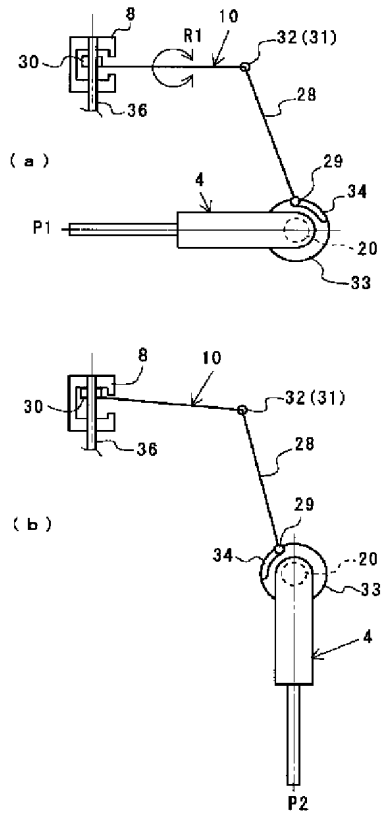
【図3】



【図4】



【圖5】



【圖7】

